



siegenthalerconsulting



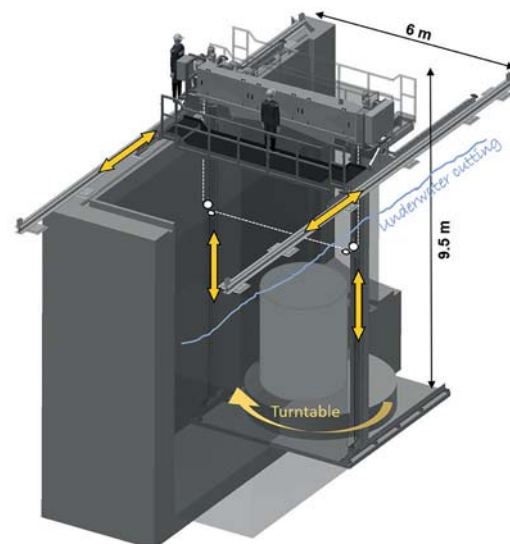
www.siegenthaler-consulting.com

Innovation meets Quality

One of the key highlights for siegenthalerconsulting GmbH is the design and development of the Portal wire saw system that was made in partnership with ATP Hydraulik AG and is currently being used at a Nuclear Power Plant in Switzerland. ATP Hydraulik designs and produces hydraulic systems and mechatronic solutions combined with electrical automation as well as pneumatics control system.

The Portal Diamond Wire Saw is fundamentally unique and highly innovative and is the first of its kind in the nuclear decommissioning segment worldwide. It is primarily used in the decommissioning of a nuclear power plant to cut large steel components such as water separators or steam dryers into smaller pieces - under water.

It is important to note that most of these structures are highly radioactive and contaminated. Cutting it under water prevents air borne debris and proliferation of high radiation contaminants. Additionally, the complete system is remotely controlled thus reducing the risk of exposure to human operators and its able to perform vertical and horizontal cutting possible. It is also infinitely



adjustable and fitted with load-dependent advance feed mechanism. Furthermore, cutting accuracy can be refined down to the millimeters due to positioning of the diamond wire guide rollers and progress of the sawing cut are shown on the display on the remote control.

The primary benefit to customers is “single source expertise” - from Project Engineering, Product Design & Development, deployment and training- siegenthalerconsulting guaranteeing expertise in every case with the most professional advice and support available on the market.

siegenthalerconsulting GmbH provides high-quality diamond wire, that supplement client requirements for cutting challenging material.